

Copenhagen Open 18. - 19. April 2014 Prismen M12-30

Competitors: 7

Competitors A

#	Name	Club	1	2	3	4	Wins	Pts	Pos
1	Aksel BIRLUND	Amager Judo Skole					0	0	4
2	Marius HAGELSKJÆR	Aarhus Judo Klub	10				1	10	3
3	Gabriel ISAKSSON	Upplands Väsby JK	10	5			2	15	2
4	Olivier NAERT	Judoclub Izegem	10	10	5		3	25	1

Matches A

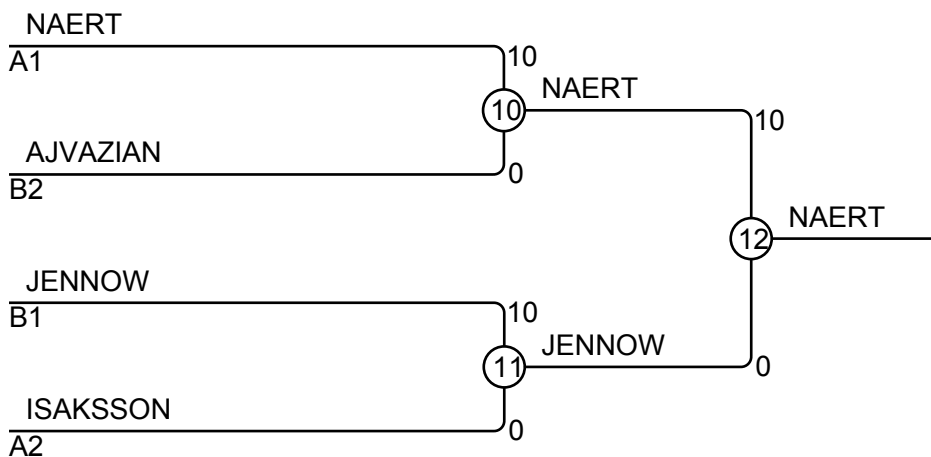
Match	White	Blue	Result	Time
1	Aksel BIRLUND	Marius HAGELSKJÆR	0 - 10	0:31
2	Gabriel ISAKSSON	Olivier NAERT	0 - 5	3:00
4	Aksel BIRLUND	Gabriel ISAKSSON	0 - 10	1:01
5	Marius HAGELSKJÆR	Olivier NAERT	0 - 10	0:49
7	Aksel BIRLUND	Olivier NAERT	0 - 10	0:08
8	Marius HAGELSKJÆR	Gabriel ISAKSSON	0 - 5	3:00

Competitors B

#	Name	Club	5	6	7	Wins	Pts	Pos
5	Mark AJVAZIAN	Amager Judo Skole			10	1	10	2
6	Noa JENNOW	Amager Judo Skole	10		10	2	20	1
7	Zigge HYLÉN	Staffanstorp				0	0	3

Matches B

Match	White	Blue	Result	Time
3	Mark AJVAZIAN	Noa JENNOW	0 - 10	1:11
6	Mark AJVAZIAN	Zigge HYLÉN	10 - 0	0:57
9	Noa JENNOW	Zigge HYLÉN	10 - 0	0:08



Results

Pos	Name
1	Olivier NAERT, Judoclub Izegem
2	Noa JENNOW, Amager Judo Skole
3	Mark AJVAZIAN, Amager Judo Skole
3	Gabriel ISAKSSON, Upplands Väsby JK